

LX-C Shore Hardness Tester



LXD-C



LX-C-1



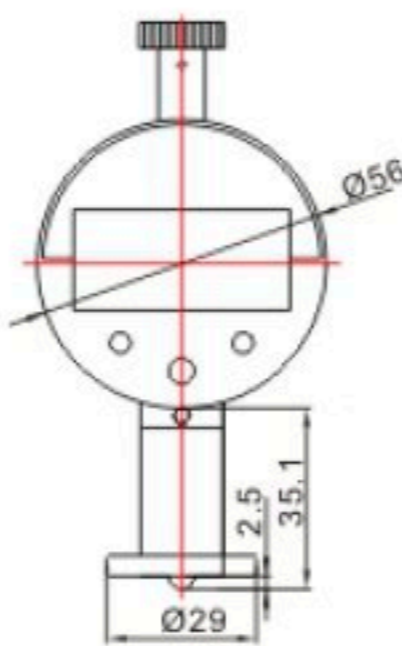
LX-C-2



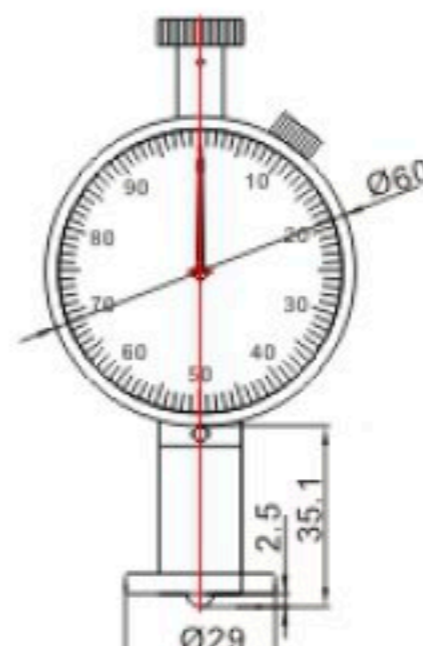
Features

LX-C hardness tester is used in measuring the hardness of oak model micro porous, material which includes vesicant, when the compression ratio is 50%, the stress above 0.5kg/cm². It also can be used in other similar hardness materials.

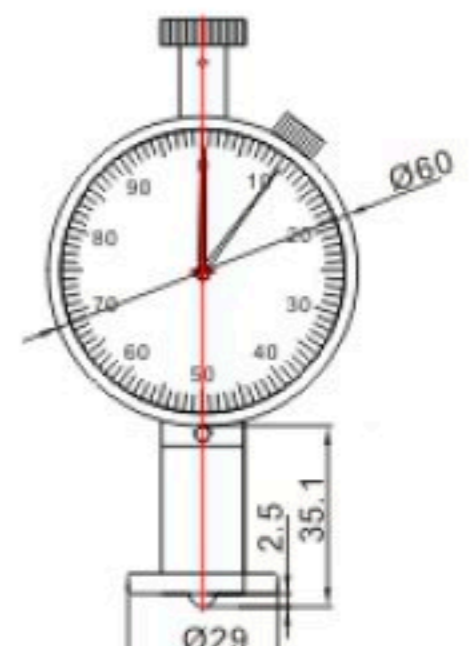
Dimensional Drawings



LXD-C



LX-C-1



LX-C-2

Technical Data

Measuring range	0-100HC
Recommended measurement range	10-90HC
Outline dimension	115x60x25mm
pressure needle range	2.5mm
End pressure of Pressure Head	SR2.5mm
Net weight	~0.14kg ~0.16kg

ติดต่อบริษัท เนโอเนิกส์ จำกัด

Tel: 098-479-5684 หรือ 061-8268939

E-mail: sale@neonics.co.th เว็บไซต์ www.neonics.biz