

LX-D Shore Hardness Tester



LXD-D



LX-D-1

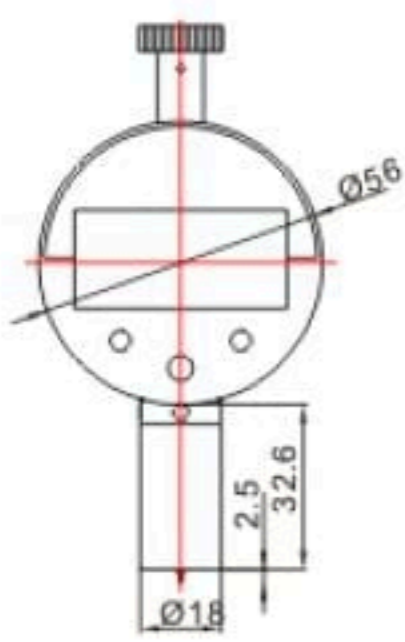


LX-D-2

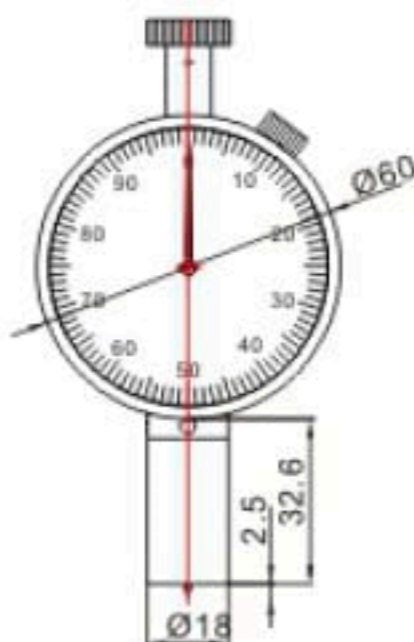
Features

LX-D hardness tester is suitable for hardness test of high degree of hardness material, such as common hard rubber, hardened resin, acryl, plexiglas, thermos plastic rubber, printing plate, fibre. The product conforms to HG/2489 and other related standard request.

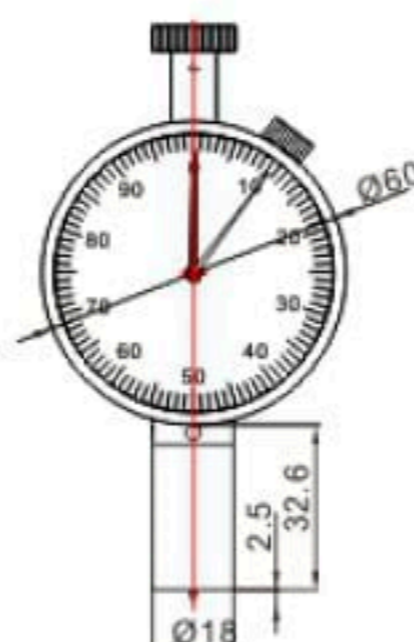
Dimensional Drawings



LXD-D



LX-D-1



LX-D-2

Technical Data

Measuring range	0-100HD
Recommended measurement range	20-90HD
Outline dimension	115x60x25mm
pressure needle range	2.5mm
End pressure of Pressure Head	SR0.1mm
Net weight	~0.16kg ~0.14kg



ติดต่อบริษัท เนโอเนิกส์ จำกัด

Tel: 098-479-5684 หรือ 061-8268939

E-mail: sale@neonics.co.th